

## Sink Canova 26" x 20" – U/M



Kitchen Sinks

Code: 1338 660

AISI 304 Stainless steel

Satin finish

Undermount

x cross bending for easy water draining



### DETAILS

**Series** Canova

**Material** AISI 304 stainless steel

**Finish** Satin finish

**Thickness** 16 Gauge (1.5 mm)

**Inset type** Undermount

**Overall dimensions** 25 1/2" x 19 1/2"

**Bowl dimension** 1 bowl 24" x 17"

**Bowls depth** 10"

Cut out 24" x 18"

---

Waste fitting type 3 1/2" - with stainless steel basket

---

Bowls bottom X cross bending for easy water draining

---

Underside Protected with heavy duty undercoating

---

Fixing system Undermount fixing kit (brass insert and clips)

---

## FEATURES

**Diamond-shape bottom** The draining of water is an important feature in a sink, and it's always taken good care of in Foster products. In the bent-welded sinks, which would have a flat bottom, the proper draining is guaranteed by the elegant beveling, which helps the water flow.

---

**Double recess** The "rails" system makes it possible use a combination of numerous accessories. Grids, Chopping boards, utensils' ranging systems, bowls and containers of different dimension can be alternates in the workspace with a simple gesture, and can easily be stacked, in order to be on hand at all times.

---

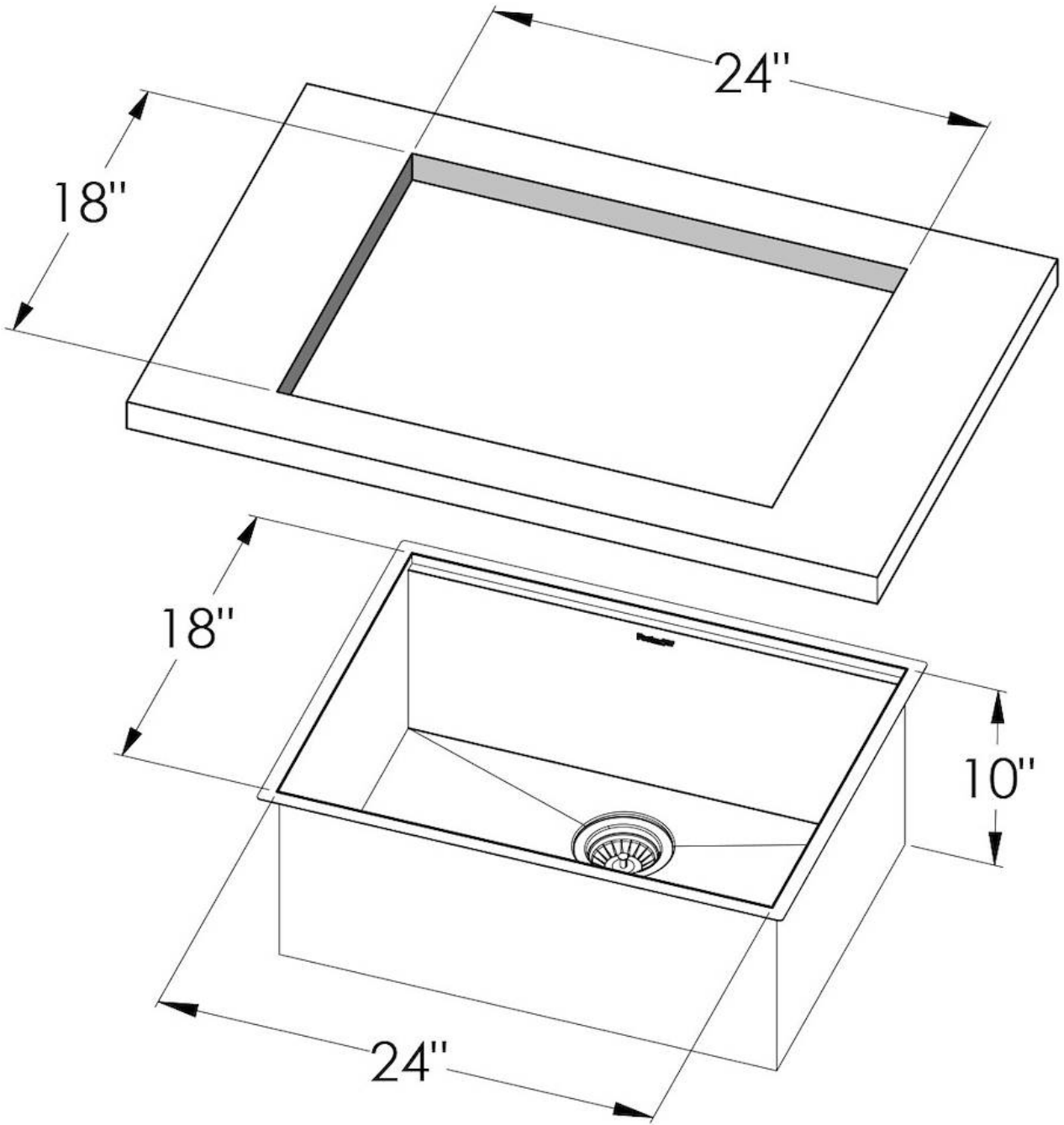
**High thickness** 1.5 mm thick steel. A significant thickness, which guarantees the maximum sturdiness and durability.

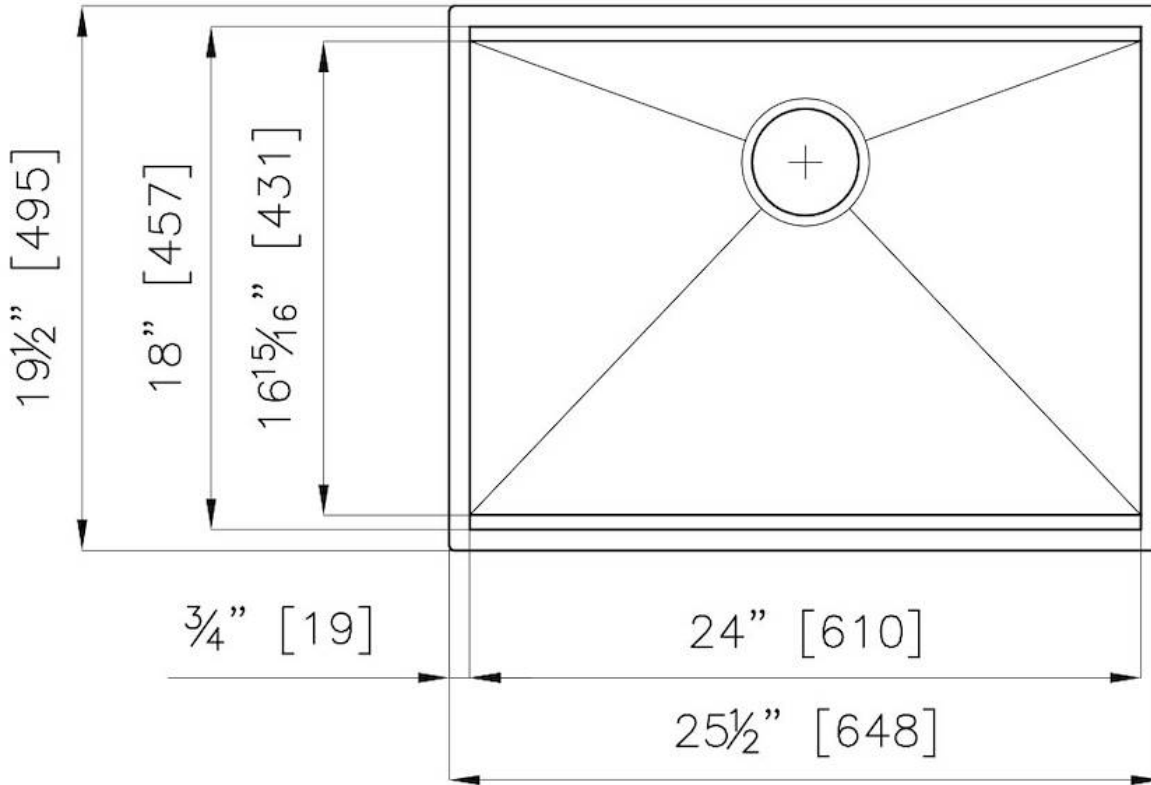
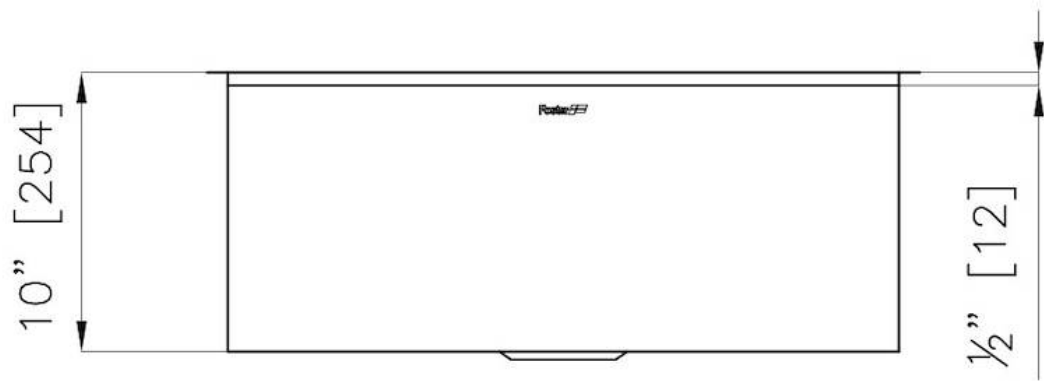
---

**Basket 3,5" waste fitting** The drain is equipped with a large 3.5" drain, with the practical basket cap that prevents the discharge of solid parts.

---

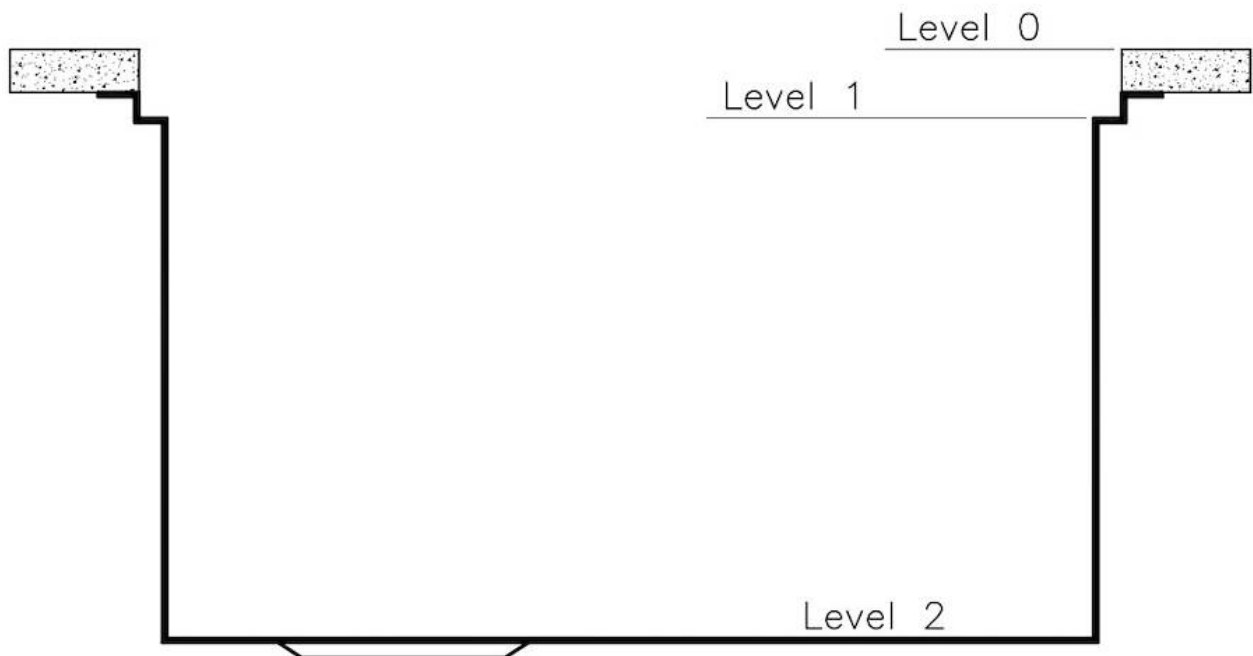
## TECHNICAL DATA





## Canova Optional accessories

The "rails" system makes it possible to use a combination of numerous accessories. Grids, chopping boards, utensils' ranging system, bowls and containers of different dimensions can be alternated in the workspace with a simple gesture, and can easily be stacked, in order to be on hand at all times.



## Canova Level 0

Compatible accessories:

8644 102

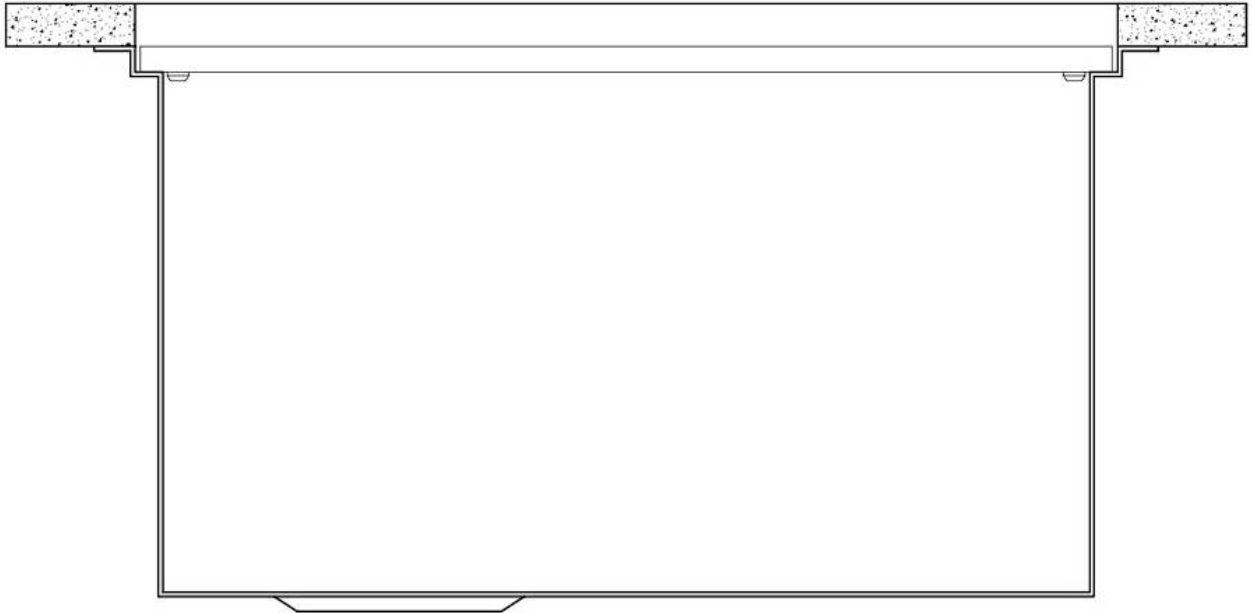


## Canova Level 1

Compatible accessories:

8100 605

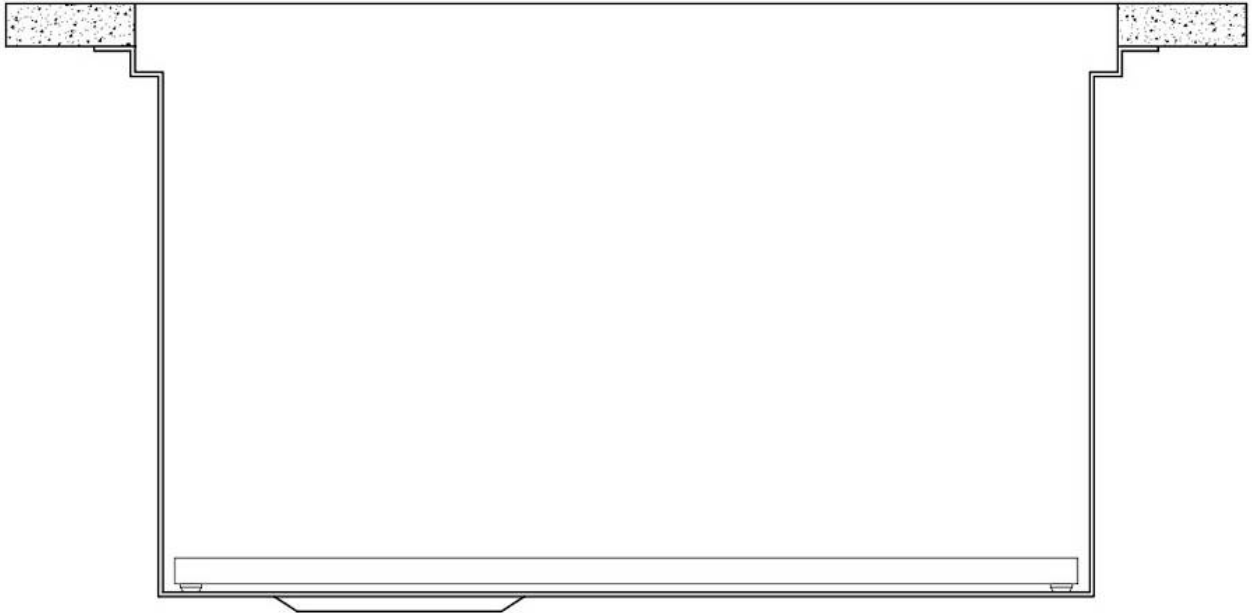
8644 104



## Canova Level 2

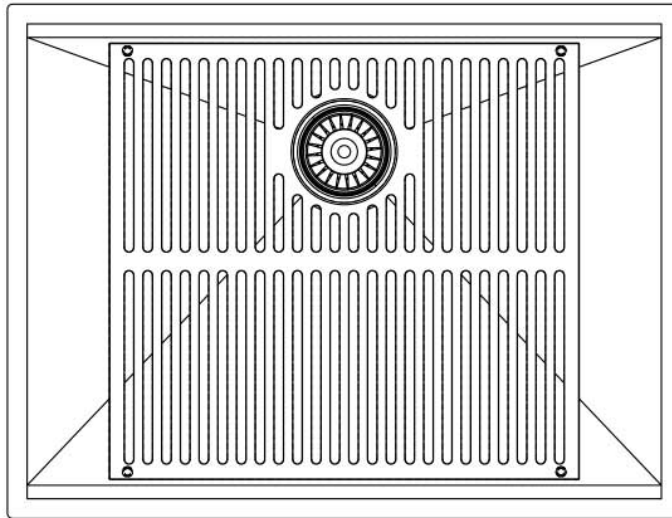
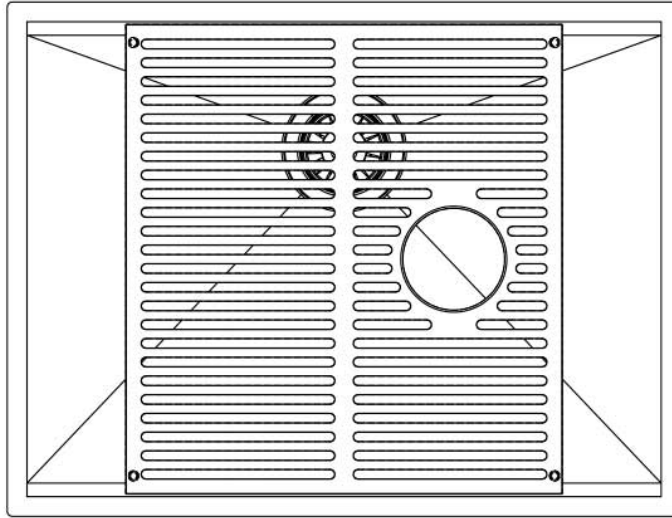
Compatible accessories:

8100 605





## Edge positioning



## Bottom positioning

## OPTIONAL ACCESSORIES



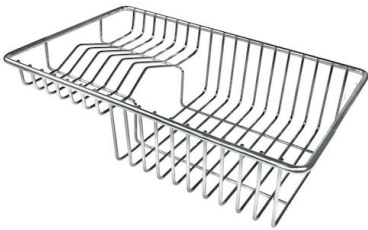
**Bottle holder**  
1773 723



**Grating kit complete with ring support and food collection tray**  
8159 101  
\* only in combination with the accessory  
8644 102



**Knives-holder**  
8100 030



**Stainless Steel dishes holder**  
8100 303  
\* only in combination with the accessory  
8644 102



**Stainless steel perforated pan**  
8151 000  
\* only in combination with the accessory  
8644 102



**Twin Chopping Board**  
8644 102

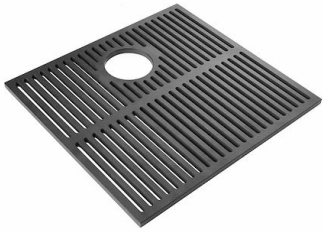


**Twin Chopping Board in HDPE**  
8644 104



**Waste disposer throat**  
8669 043

## RECOMMENDED PAIRINGS



**Canova Black grid**  
8100 605



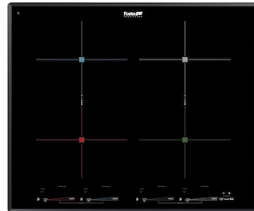
**Faucet Capri**  
8467 005



**Faucet Salina**  
8487 005



**Milano Cooktop 4 burners**  
7637 900



**Milano Induction Cooktop 4 Plate**  
7371 945